

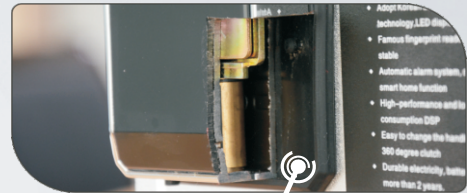
# 918-80-F



Patent Module Combination

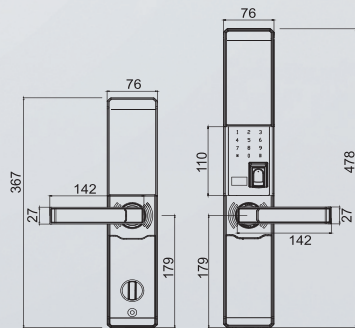
Slide Cover Design

Patent Anti-theft Handle Design



3 Layer Anti-drilling  
& Anti-prying Technology

## DIMENSION(mm)



## PARAMETER

- **Material** : Zinc Alloy
- **Unlock Way** : Fingerprint/Password/Card/Mechanical Key/APP(Optional)
- **Keypad Type** : 12 Digital Touch Keypad
- **Type of fingerprint sensor** : Semiconductor Fingerprint Reader
- **User** : 55 Fingerprint User , 55 Password User , 55 Card User , 120 ID User , Total User Capacity : 285
- **Power Supply** : 4pcs AA 1.5V Alkaline Batteries/USB Emergency Recharge
- **Display Screen** : 0.96OLED Screen
- **Mortise** : China Standard K7 Mortise

## OPTIONAL COLOR



918L-80-F Silver    918BP-80-F Golden    918HB-80-F Copper



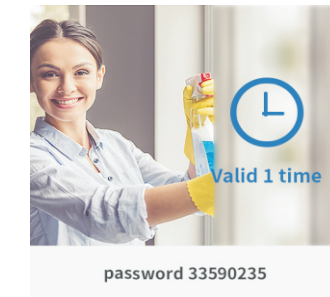
## Slide Cover Series



APP Remote Control



Remote User Approval



Temporary Access For House Keeper



Drill Warning