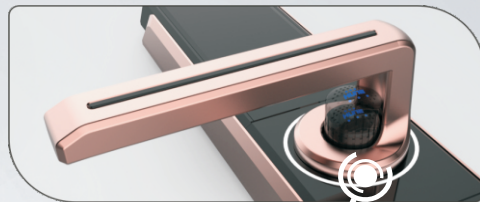




# 918-82-F

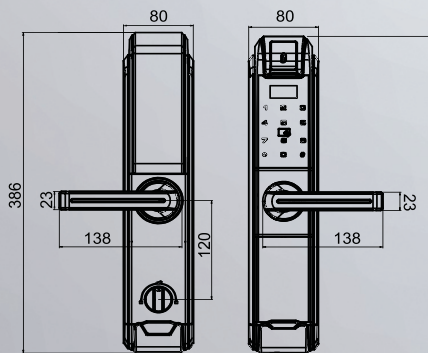


Anti-theft Handle Design



3 Layer Anti-drilling Structure

## DIMENSION(mm)



Smart Home System Lock



## PARAMETER

- **Material** : Titanium Alloy
- **Unlock Way** : Fingerprint/Password/Card/Mechanical Key/APP(Optional)
- **Keypad Type** : 12 Digital Touch Keypad
- **Type of fingerprint sensor** : Semiconductor Fingerprint Reader
- **User** : 55 Fingerprint User , 55 Password User , 55 Card User , 120 ID User , Total User Capacity : 285
- **Power Supply** : 8pcs AA 1.5V Alkaline Batteries/USB Emergency Recharge
- **Display Screen** : 0.96OLED Screen
- **Mortise** : China Standard K7 Mortise,9#Mortise

## OPTIONAL COLOR



918TCP-82-F  
Copper



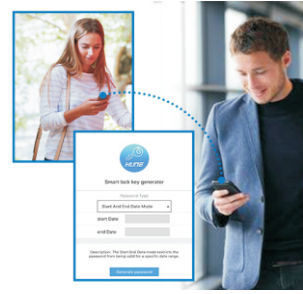
918TG-82-F  
Grey



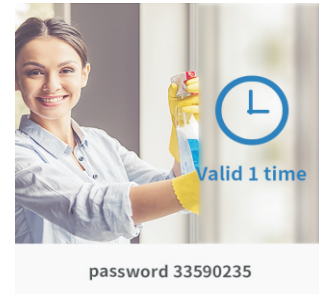
918TMB-82-F  
Dark Copper



APP Remote Control



Remote User Approval



Temporary Access For House Keeper



Drill Warning