

# 918-E3-F

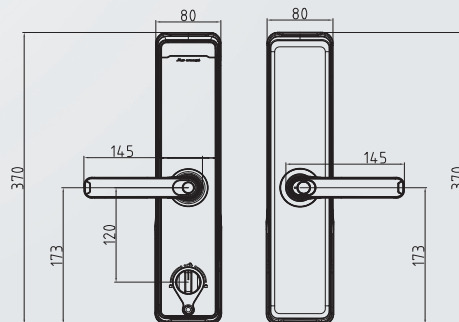
IML One Piece Kaypad Design

User Friendly Position Designed Bank Secure Level Fingerprint Reader

Alarm for drilling or unauthorized unlock

Anti-theft Handle Design

## DIMENSION(mm)



Wristband Optional



## PARAMETER

- **Material** : IML + Titanium Alloy
- **Unlock Way** : Fingerprint/Password/Card/Mechanical Key/APP(Optional)
- **Keypad Type** : 12 Digital Touch Keypad
- **Type of fingerprint sensor** : Semiconductor Fingerprint Reader
- **User** : Total User Capacity : 250 (99 Fingerprint Users , 50 Password Users , 250 Card Users)
- **Power Supply** : 4pcs AA 1.5V Alkaline Batteries/USB Emergency Recharge
- **Mortise** : China Standard K2 Mortise

## OPTIONAL COLOR



918CP-E3-F  
Copper



918TW-E3-F  
Black



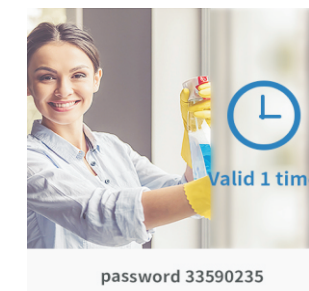
## NB-IoT Lock



APP Remote Control



Remote User Approval



Temporary Access For House Keeper



Drill Warning