

918-i8-F

IML One Piece Keypad Design

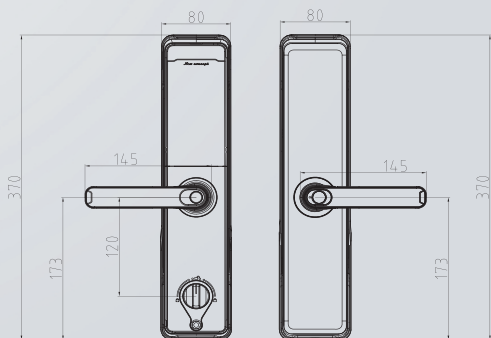
Anti-theft Handle Design

User Friendly Position Designed Bank Secure Level Fingerprint Reader

Alarm for drilling or unauthorized unlock



DIMENSION(mm)



Wristband Optional

PARAMETER

- **Material** : IML + Aluminium Alloy
- **Unlock Way** : Fingerprint/Password/Card/Mechanical Key/APP(Optional)
- **Keypad Type** : 12 Digital Touch Keypad
- **Type of fingerprint sensor** : Semiconductor Fingerprint Reader
- **User** : 55 Fingerprint User , 55 Password User , 55 Card User , 44 ID User , Total User Capacity : 209
- **Power Supply** : 4pcs AA 1.5V Alkaline Batteries/USB Emergency Recharge
- **Display Screen** : 0.96 OLED Screen
- **Mortise** : China Standard K2 Mortise

OPTIONAL COLOR



918TW-i8-F
Black



918CP-i8-F
Copper



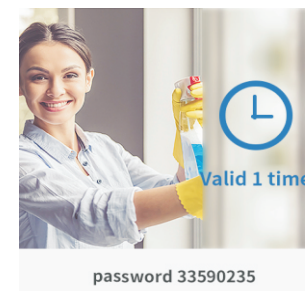
NB-IoT Lock



APP Remote Control



Remote User Approval



Temporary Access For House Keeper



Drill Warning