

929-33-F

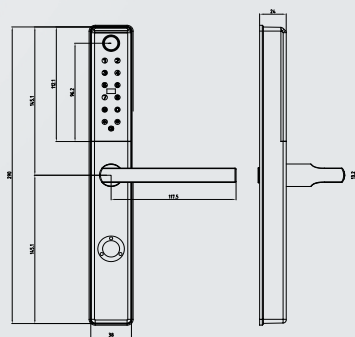
304 Stainless Steel Panel Design

UL & CE Standard Structure

Bank Secure Level
Semiconductor Fingerprint Reader

IML Touch Screen For Tech Feel

DIMENSION(mm)



PARAMETER

- **Material** : IML + Stainless steel
- **Unlock Way** : Fingerprint/Password/Card/Mechanical Key/Bluetooth
- **Keypad Type** : 12 Digital Touch Keypad
- **Type of fingerprint sensor** : Semiconductor Fingerprint Reader
- **User** : Total 250 Users. 99 fingerprint users ,50 password users, 250 Card Users
- **Power Supply** : 4 pcs AAA 1.5V Alkaline Batteries/USB outlet for emergency
- **Static Consumption** : 120uA **Dynamic Consumption** : 300mA
- **Mortise** : Europe 85/72 mortise,6# mortise, 3# mortise, ANSI

OPTIONAL COLOR



929SS-33-F
Silver



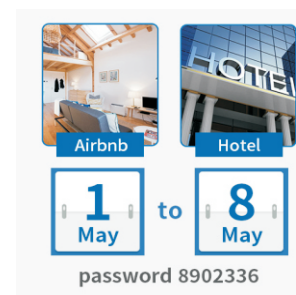
929TW-33-F
Black



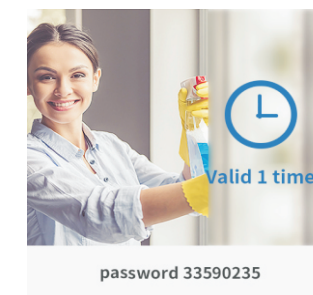
NB-IoT Lock



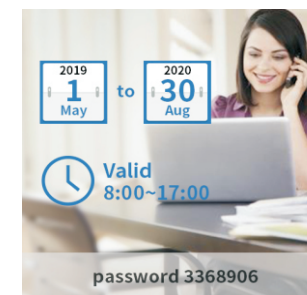
Remote Open By Bluetooth



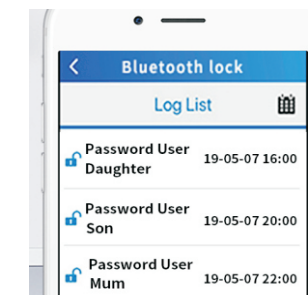
Offline Generate Password



Temporary Access For House Keeper



Periodic Access For Staff



Unlock Record Tracking