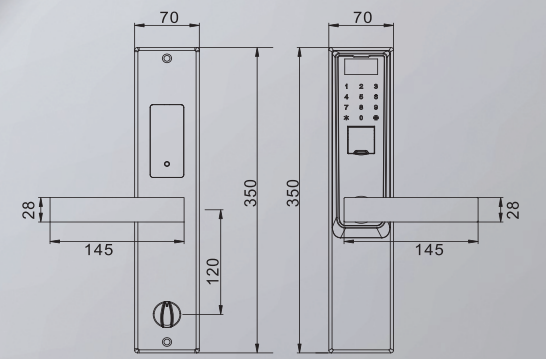


918-62A-F



DIMENSION(mm)



PARAMETER

- **Material** : Stainless Steel
- **Unlock Way** : Fingerprint/Password/Mechanical Key/APP/Card
- **Keypad Type** : 12 Digital Touch Keypad
- **Type of fingerprint sensor** : Semiconductor Fingerprint Reader
- **User** : 55 Fingerprint User , 55 Password User , 55 Card User , 120 ID User , Total User : 285
- **Power Supply** : 4pcs AA 1.5V Alkaline Batteries
- **Display Screen** : 0.96OLED Screen
- **Mortise** : China Standard K2 Mortise

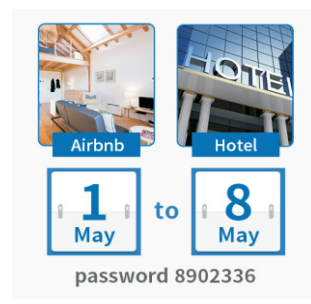
OPTIONAL COLOR



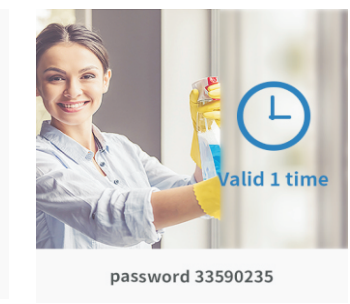
Simplified Pre-installation Series



Scramble Code for Enhanced Security



Offline Generate Password



Temporary Access For House Keeper



Periodic Access For Staff