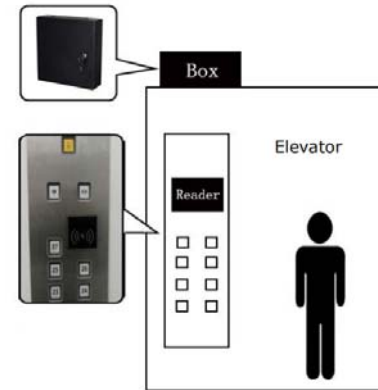


Common Elevator Controller

Main Box



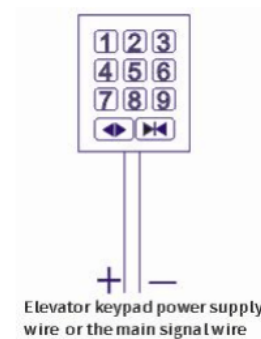
Structure and Working Principle



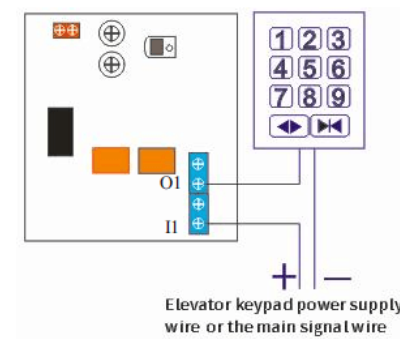
Connection

Parameter Data

• Reader Dimension:	290*310mm
• Metal Box Dimension:	220*265mm
• Material:	Steel
• Power:	220V AC
• Unlock:	By Card



Pic 1-1 Before



Pic 1-2 After