

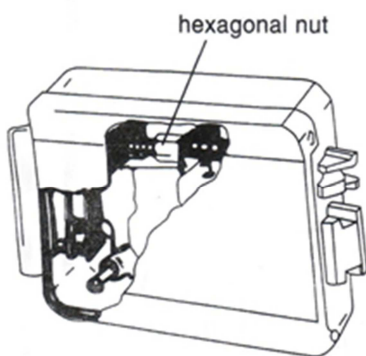
EL-RL200

Features

EL-RL200 Electric Rim Lock (12V) supports electrical control or key operation. It has functions of high guard and high security, e.g. built-in Push Button for convenience, protect non-key's unlock after message feedback. Fits for building intercom or access control systems. Could be mounted in residential building, commercial housing, hotel, warehouse, organ, school, etc.

**Technical Specification**

- Voltage:DC12V \pm 10%
- Unlocking current:1.5~3A
- Min Unlocking Power:10W
- Coil ground insulation:DC500V
- Energizing: discontinuous ,energized<7S
- Unlocking time: 0.5S
- Temperature: $-40^{\circ}\text{C} \sim 50^{\circ}\text{C}$
- Static pressure:6000N
- Service life:300,000 times

Installation Guide

Use the self-contained screws to install lock body, cylinder and door holder into the door edge or door frame. Proposed 5mm minimum installation distance from lock body to door holder.

The loading spring is adjustable with the door's weight and door closer's power. Adjust the hexagonal nut by a no.12 spanner or a pair of pliers if it locks in a big noise or cannot close.

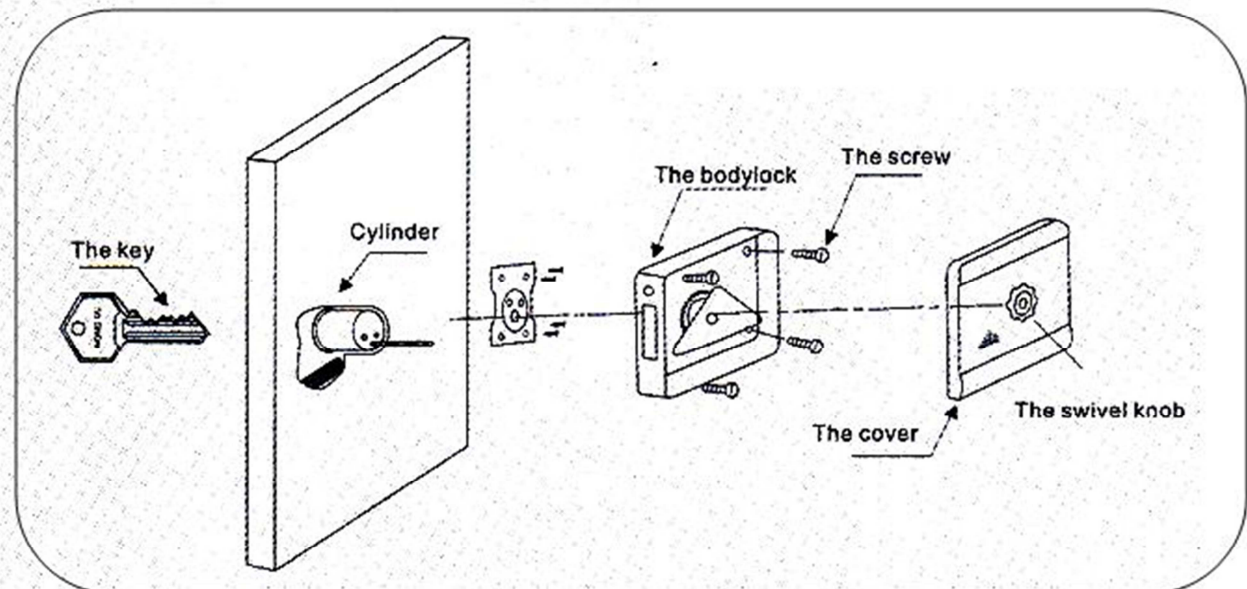
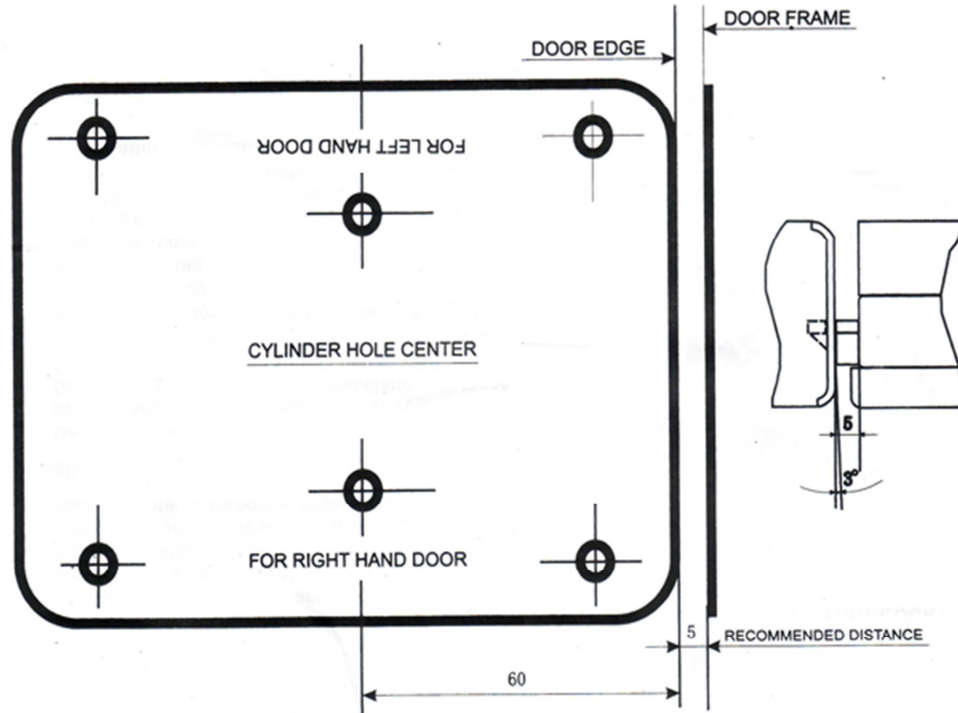
Dead bolts could change direction according to the open type.

Use a 9~12VDC voltage and a power higher than 12W. Push or turn the button, lock could automatic unlock after 1 second.

Caution

Unlock continuous electrify time could not exceed 8 seconds. For safety, please use powdery lubricant for the cylinder, e.g. pencil powder.

Installation Guide



Installation Diagram

