

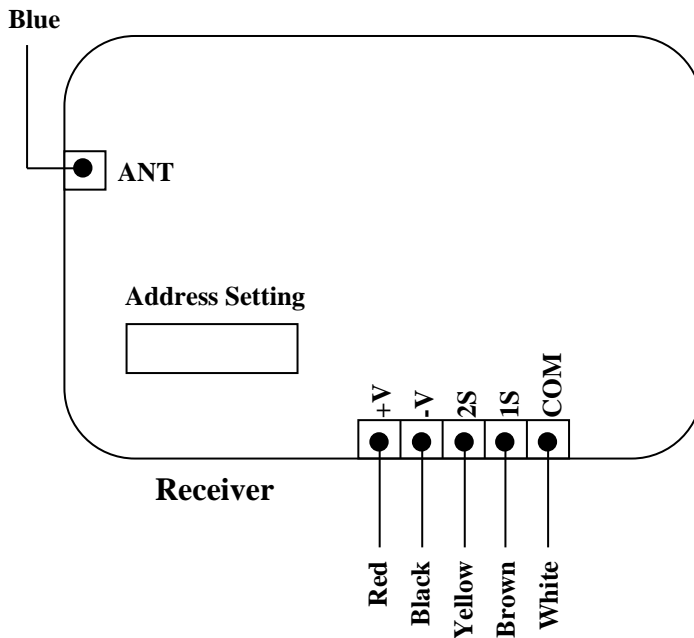


Standard Package : 1 unit of Receiver come with 1 unit of Transmitters

Note! : Adjust DIP switch setting from Transmitter to match with the DIP setting from Receiver

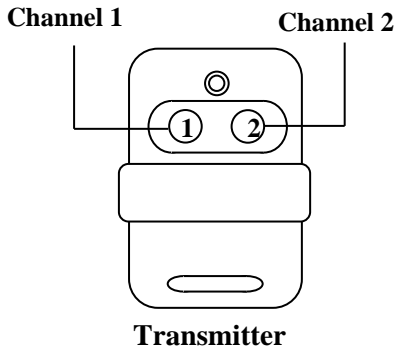
RC-RT11

RC-RT11



Wired Connection:

Color Code	Name	Description
Red	+V	+24VAC/+12VDC
Black	-V	Common Ground
Brown	1S	Channel 1
Yellow	2S	Channel 2
White	COM	Channel Common
Blue	ANT	Antenna

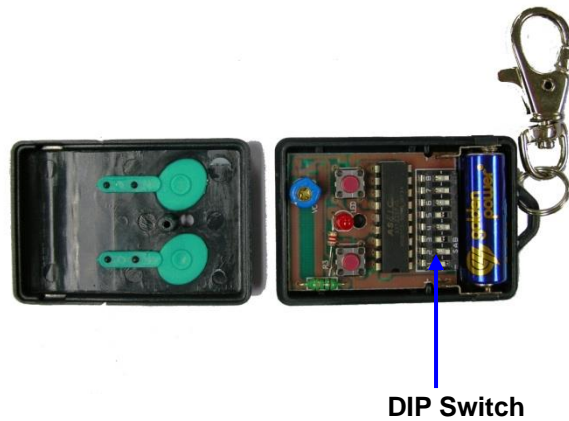
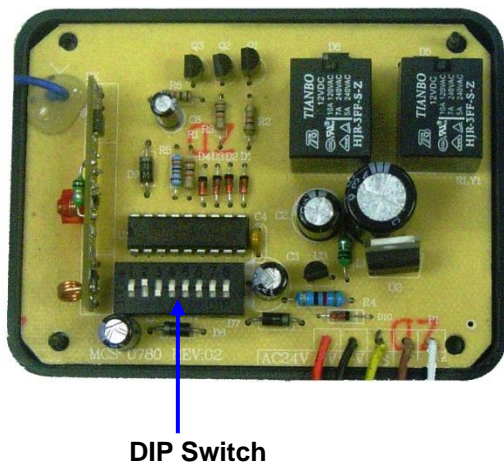


Specification:

Model	RC-RT13
Operation Voltage	24VAC/12VDC
Frequency Range	329KHz – 331KHz
Transmitter Dimension	5.6 x 3.3 x 1.4 cm
Receiver Dimension	9.5 x 6.9 x 3.1 cm

**** Caution : Please do not cover the received unit with any concrete or metallic objects. It will reduce the device’s receiving effect**

Adjust DIP switch setting from Transmitter to match with the DIP setting from Receiver



** Specifications are subject to change for modification without notice*