

Overview

YD-601 is a standard type wall mount door holder which adopts low power consumption that makes it more environments friendly and more durable. Professional anti-residual magnetism design ensures highest security. It will release automatically the fire door when fire alarm. It also contains build-out release button for testing and build-in MOV which reverse current protection.

Specification

Product Parameter	Parameter Description
Dimensions	L80 x W80 x H40 (mm)
Holding Force	50kg (110Lbs)
Voltage	12/24 VDC +/- 10% (Adjustable)
Current Draw	12V/140mA 24V/70mA
Suitable for	All kind of Single & Double Smokeproof Doors
Surface Temp	≤+20°C
Operating Temp	-10~+55°C(14-131F)
Suitable Humidity	0~90%(relative humidity)
Finishes for Shell	High Temperature Paint and Environmental Protection Zinc
Finishes for Armature	Zinc
Weight	0.85kg



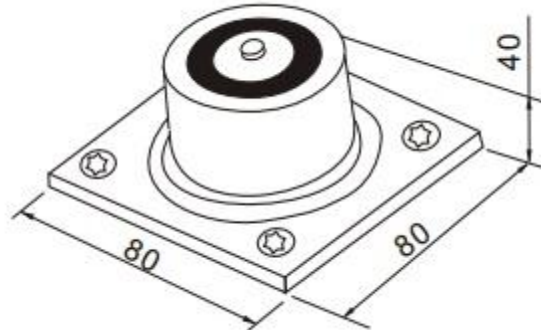
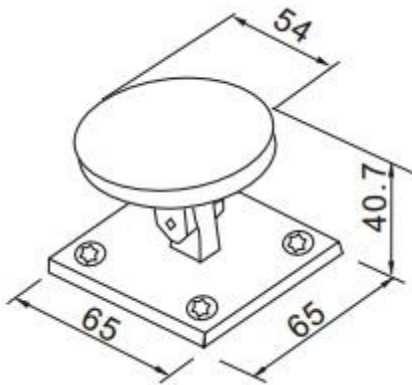
Your Security is Our Responsibility

Kyodensha Technologies (M) Sdn Bhd (2057536-M)
 Information Communication Technologies (M) Sdn Bhd (640944-K-M)
 Digit Innovation Technologies (M) Sdn Bhd (646972-U)

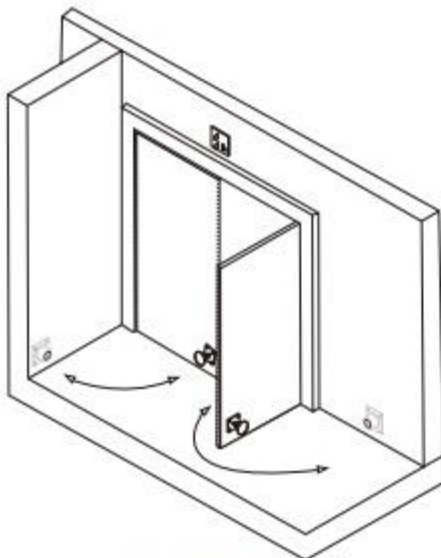
No, 7 Jalan TPP 1/15, Taman Industri Puchong
 Batu 12, Jalan Puchong, 47100 Puchong
 Selangor, Malaysia

TEL +603 8061 4589 +603 8061 3201
 FAX +603 8944 1715
 WEB www.elock2u.com
 EMAIL sales@elock2u.com

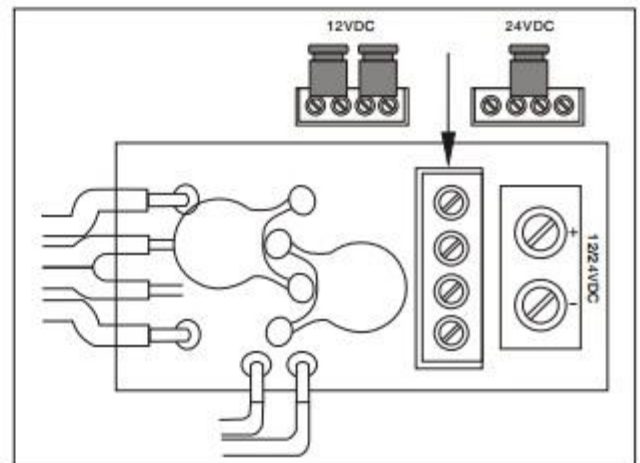
Dimensions



Installation



Installation



Wiring Diagram