



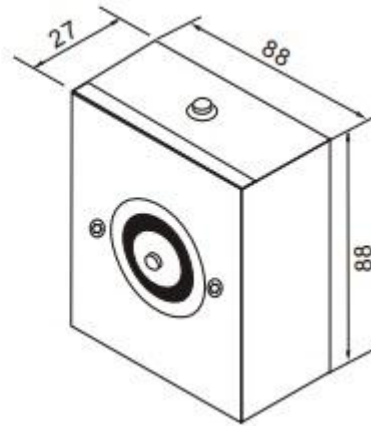
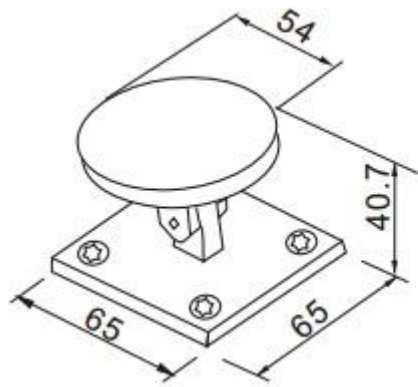
## Overview

YD-603 is a mortise mount door holder. Feature of low power consumption makes it more environments friendly and more durable. Build-out release button for testing and build-in MOV reverse current protection.

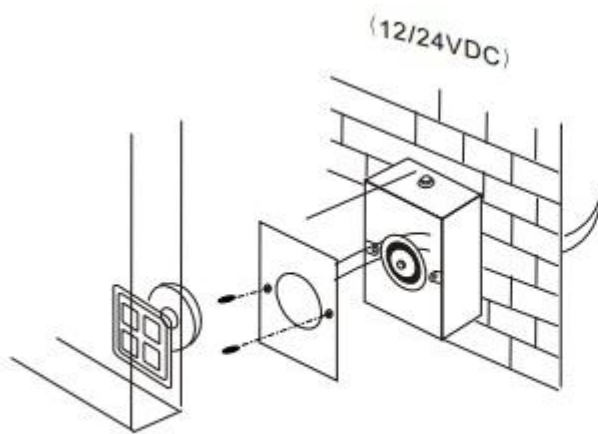
## Specification

Product Parameter	Parameter Description
Dimensions	<b>L88 x W88 x H27 (mm)</b>
Holding Force	<b>50kg (110Lbs)</b>
Voltage	<b>DC24V + 1-%</b>
Current Draw	<b>12V/180mA 24V/70mA</b>
Suitable for	<b>All kind of Single &amp; Double Smokeproof Doors</b>
Surface Temp	<b>≤+20°C</b>
Operating Temp	<b>-10~+55°C(14-131F)</b>
Suitable Humidity	<b>0~90%(relative humidity)</b>
Finishes for Shell	<b>High Temperature Paint and Environmental Protection Zinc</b>
Finishes for Armature	<b>Zinc</b>
Weight	<b>1.0kg</b>

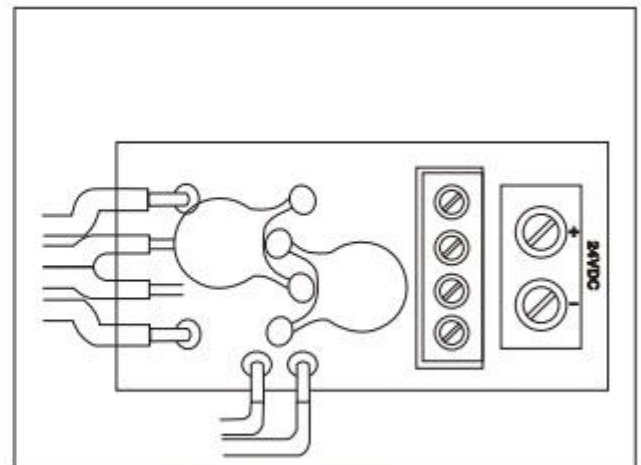
## Dimensions



## Installation



Installation



Wiring Instructions