

## Overview

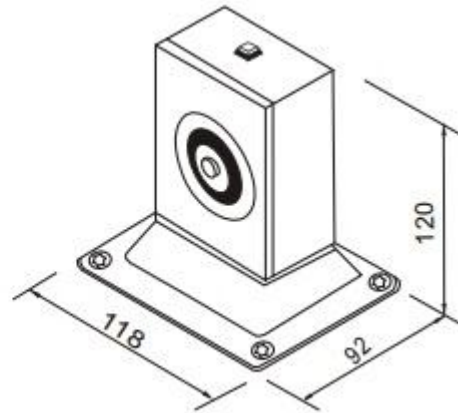
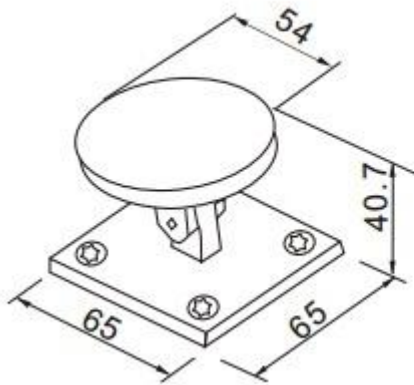


YD-605 is a wall mount and floor mount door holder, which adopts low power consumption, that makes it more environment friendly and more durable. Professional anti-residual magnetism design ensures highest security. It will release automatically the fire door when fire alarms. It also contains build-out release button for testing and build-in MOV which reverse current protection.

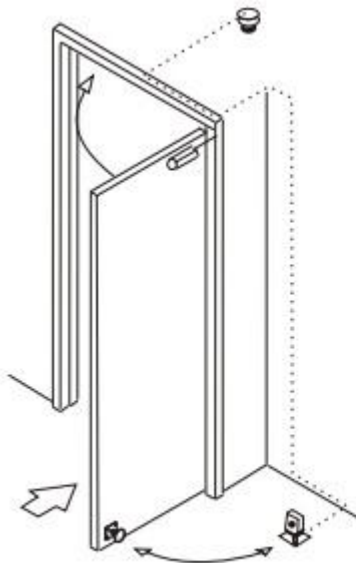
## Specification

Product Parameter	Parameter Description
Dimensions	<b>L116 x W93 x H118 (mm)</b>
Holding Force	<b>50kg (110Lbs)</b>
Voltage	<b>DC24V + 1-%</b>
Current Draw	<b>12V/180mA 24V/70mA</b>
Optional	<b>Manual door release button</b>
Suitable for	<b>All kind of Single &amp; Double Smokeproof Doors</b>
Surface Temp	<b>≤+20°C</b>
Operating Temp	<b>-10~+55°C(14-131F)</b>
Suitable Humidity	<b>0~90%(relative humidity)</b>
Finishes for Shell	<b>High Temperature Paint and Environmental Protection Zinc</b>
Finishes for Armature	<b>Zinc</b>
Weight	<b>1.4kg</b>

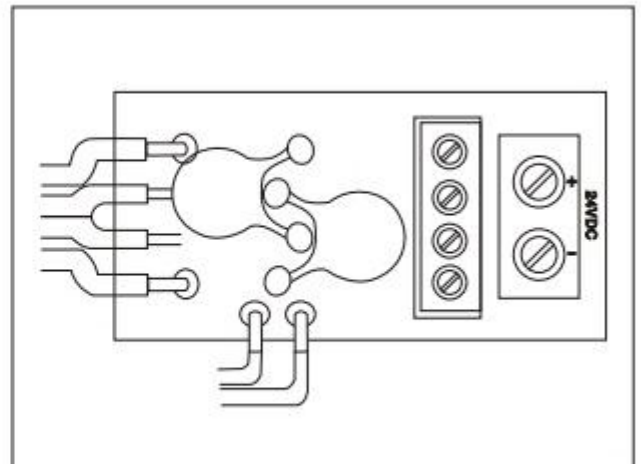
## Dimensions



## Installation



Installation



Wiring Instructions