



eLock-S134ML

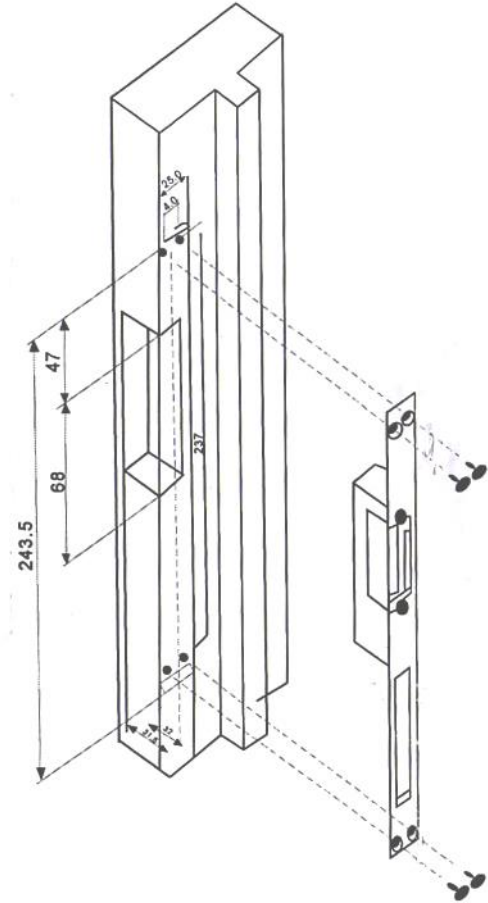
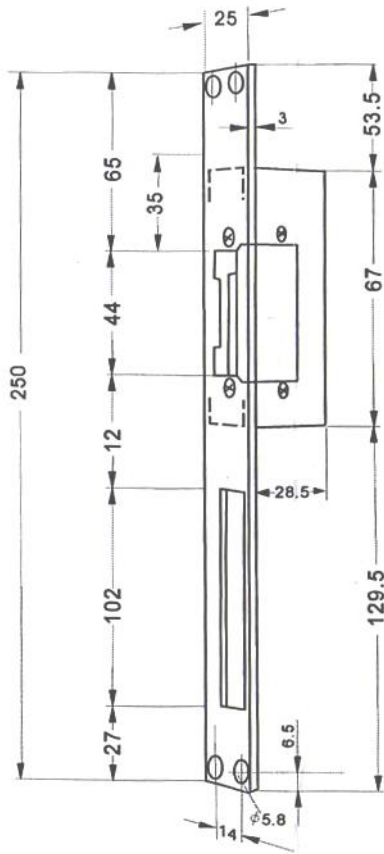
## Features

- Special design, easy to adjust the distance of the Lock-tongue
- Designed for Metal Frame drill a hole, then install it directly
- Testing to 1000,000 cycles
- Suitable for: Narrow wooden door, narrow Metal door
- The special design is that the spring bolt can be adjusted to be open all the time

## Specification

- 12Vdc operation
- Fail Secure Type
- Operation current 700mA
- Holding Force : 500KG
- Dimension : 250mm(L) X 25mm(W) X 31.5mm(D)
- Face Plate : Stainless Steel
- Strike Structure : Zinc die-casting
- Special Design : Adjust Lock-tongue to NO style ( Bypass )
- Function : Built-out MOV
- Opening Mode : 90° Swinging Door
- Safety Approval :- **CE**

## User Guide – Installation



if you adjust the pole to the right,  
then the strike will release all the time  
( bypass)

NC: if you adjust the pole to the left,  
then the strike is Fail Secure type