



Elock-SL500

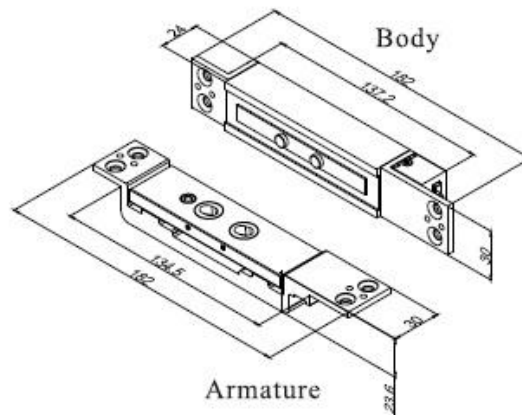
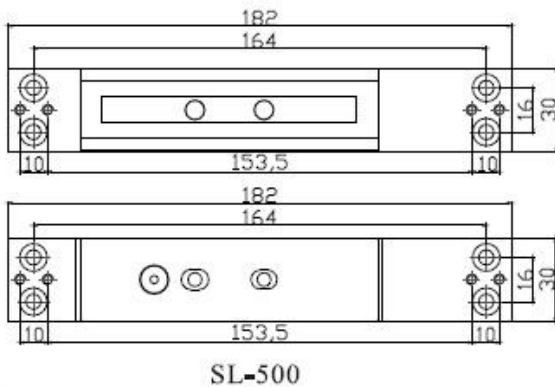
Features

- Compact size and easy to install
- Micro controller with door opening delay and door sensor output functions.
- Suitable for 180° door open aluminum or wooden doors.
- Relock function will activate to lock the door automatically (maximum 60 times per session) when the door is not locked properly
- Auto adjustable power supply 12/24V
- Maximum holding force up to 1200kg.

Specification

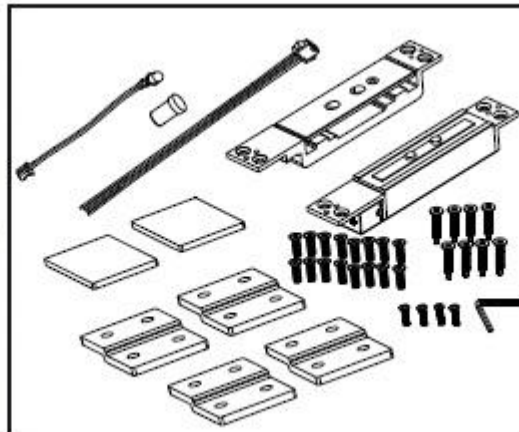
	SL-500	Note
Power Input	DC 12V/ DC 24V	± 15%
Operation Current	Operation Current:900mA /12VDC Holding Current: 250mA /12VDC	± 5%
	Operation Current:1800mA /24VDC Holding Current: 500mA /24VDC	
Monitor Output	N.O. & N.C.	Hall Effect Sensor
Operation Delay Time	0.5 Sec.- 25 Sec.	
Max. Shear Holding Forces	1200Kg	
Operation Temperature	-20°C~70°C	
Warranty	1 year under normal circumstances	
Weight	1.2Kg	
Magmetic Distance(Max.)	5.0mm @24V	

Dimension



Connection & Accessories

Model Color	5 PIN
Brown	GND-
Red	DC12V+
Orange	Door Positions Sensor N.O.
Yellow	Door Positions Sensor COM
Green	Door Positions Sensor N.C.
Model Color	2 PIN
Black	Indicator LED Output
Brown	Indicator LED Output



Type	Quantity
Screw M5X8	16
Screw M5X25	8
Screw M4X12	4

Type	Quantity
Shims	4
M3 Allenkey	1

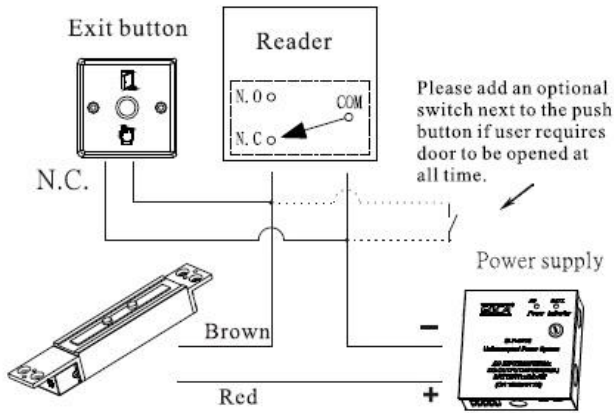
Type	Quantity
Plastic Board	2
Led connector	1

Installation

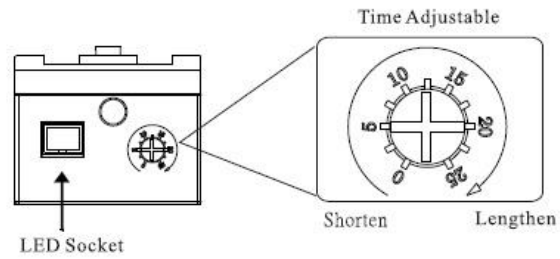
Please check before installation:

1. Please make sure the inner width and depth of door frame and door leaf (hollow metal door) are wide and deep enough to install the lock. Make sure the closing position of the door leaf is at the accurate place to enable the shear lock to lock accurately. Door closer is able to place the door leaf's closing position back to the accurate place to avoid other factor such as wind.
2. The start current of SL-500 shear lock is 1.0A and therefore reduces to 0.5A when it is locked. The of the power supply has to be above 1A for the lock to operate.

※Wiring Diagram



※Panel Diagram

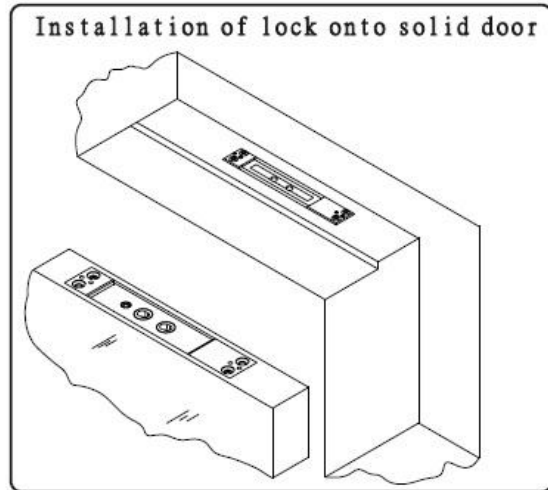
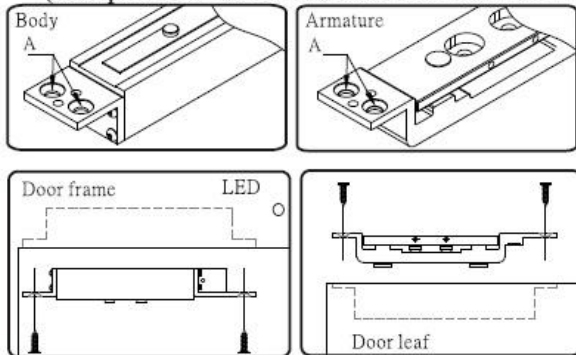


Note:
 Status Light is red when the power is on but the door is not locked yet.
 Status light is green when the door is locked.

※Fixed holes: (Installation of the lock and screws are different for solid doors and hollow doors.)

A: Solid door

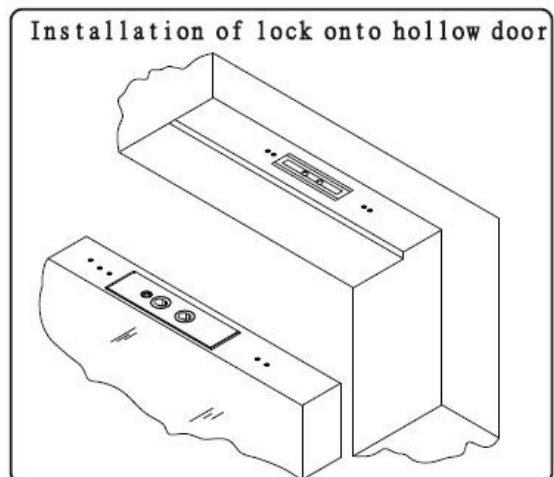
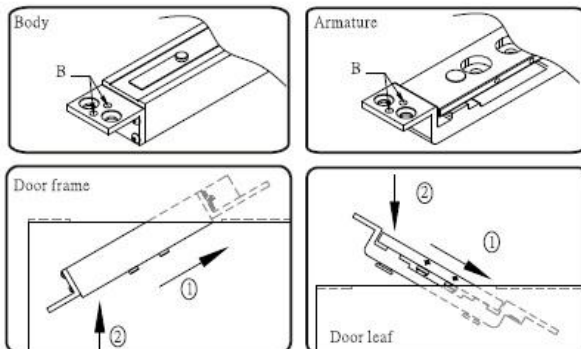
(A represents solid door's fixed screw holes)



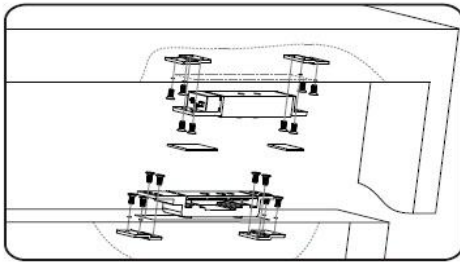
B: Hollow door

(B represents solid door's fixed screw holes).

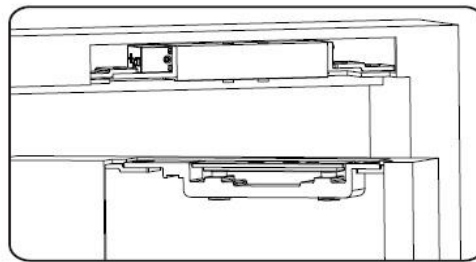
Example 1: When the distance between the door frame and the door leaf is too small.



Example 2: Use template.

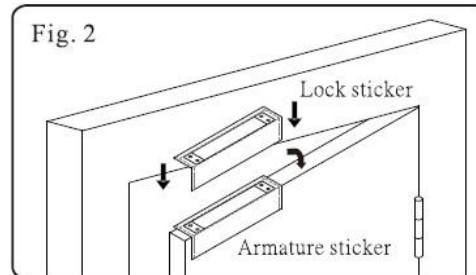
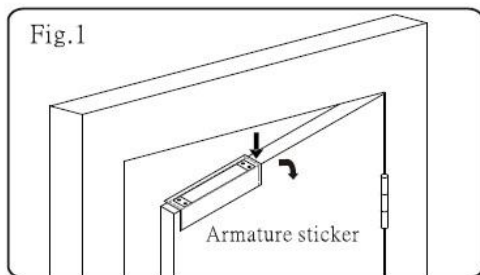


Installation of lock with template.

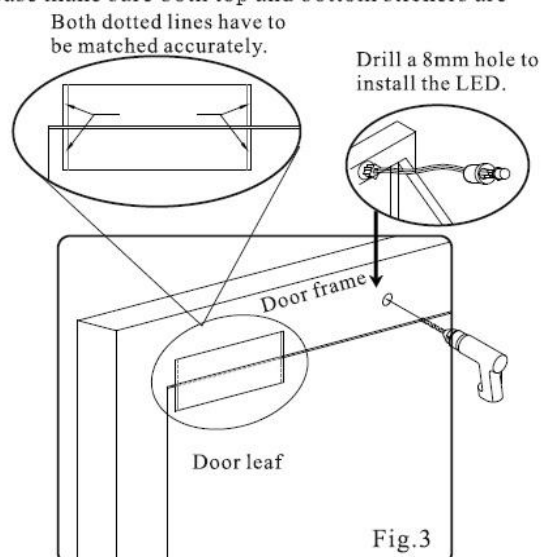
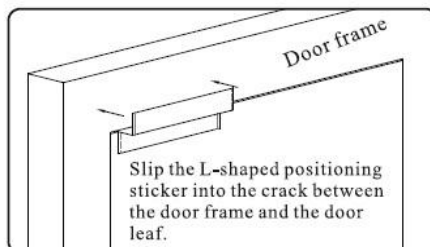
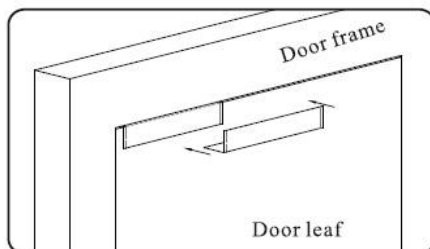


※Installations:

- ☞ Step1: Please make sure the distance between the door frame and the door leaf is between the range of 2.5mm to 5mm in order to install the lock
- ☞ Step2: Please check if **door closer** or **concealed door closer** is able to function well. Please open and close the door several times to check the closing position is always at the accurate place. Adjust the **door closer** or **concealed door closer** if the closing position is not at the accurate position.
- ☞ Step3: Stick the armature sticker on the desired position to install. (Please refer to fig. 1) Fold the stickers to both sides of the door leaf when the lock sticker is placed on top of the armature sticker.



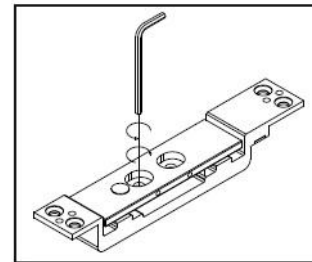
- ☞ Step4: Close the door when Step3 is completed. Fold the positioning sticker as L shape and then slip and stick it on the door frame. Please make sure both top and bottom stickers are matched accurately.



- ☞ Step5: Cut out the specific area according to the sticker and then mount the lock on the appointed position on the sticker. Drill a hole on the door frame for the indicator light where the lock is mounted. Use an electric drill to screw the lock tight and then fit the indicator light in the hole of the door frame.
- ☞ Step6: Turn on power and close the door to check if the lock is functioning properly.

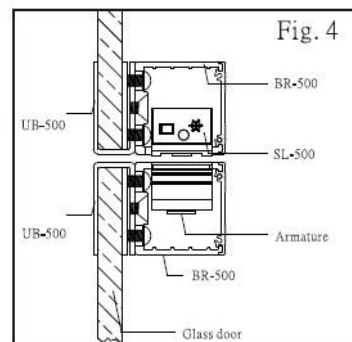
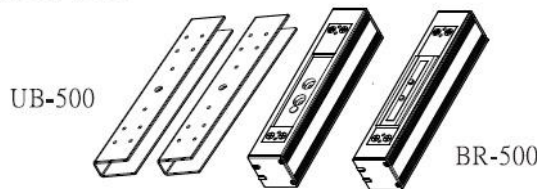
Attentions!

The magnetic distance between the armature and the lock cannot exceed 3mm. Use an allenkey to adjust the armature's screws to move upward. Please make sure the distance between the armature and lock is even and not tilted or uneven.



Optional Brackets

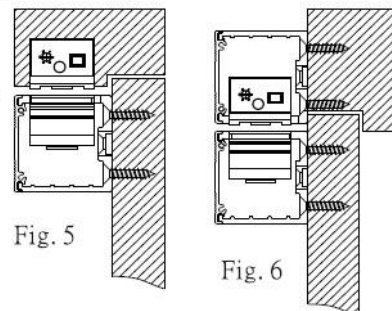
Use an optional BR-500 bracket to mount the lock if the width or the depth of the door frame or door leaf is not enough. Use an optional UB-500 glass clip for frameless glass door.



Example 1:
Mount the lock unit into the door frame. Use an optional BR-500 bracket to fit the template. Please make sure the distance between lock and the template does not exceed 3mm.

Example 2:
Use two BR-500 brackets to fit both lock and template. Please make sure the distance between the lock and the template does not exceed 3mm.

Example 3:
Use UB-500 glass clip and BR-500 template for frameless glass door. UB-500 glass clip is able to fit frameless glass door with the thickness up to 14mm.



Trouble shootings

Unable to lock.

Check the power supply. Check the magnetic range between the lock and the armature. Use an Allenkey to adjust the armature. Make sure the distance between the armature and the lock are even and not tilted or uneven.

Lock and release repeatedly.

- The bolt did not throw and attach to the bolt hole of the armature.
1. Please check if both positions are matched when the door is closed according to the requirement of step 2.
 2. Please check the power supply.
 3. Please check if the distance between the armature and the lock are even and not tilted or uneven.

Lock and release repeatedly before the door leaf is back to the closing position:

Adjust lock delay time or adjust door closer ◦