



eLock-YB500L



Features

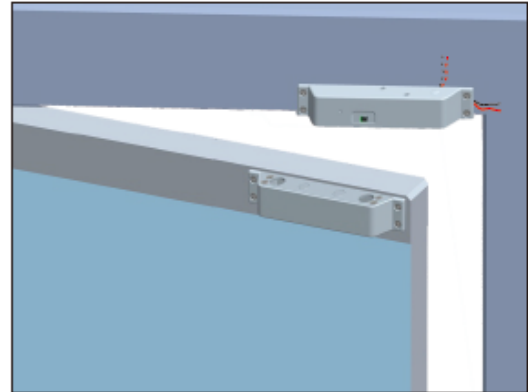
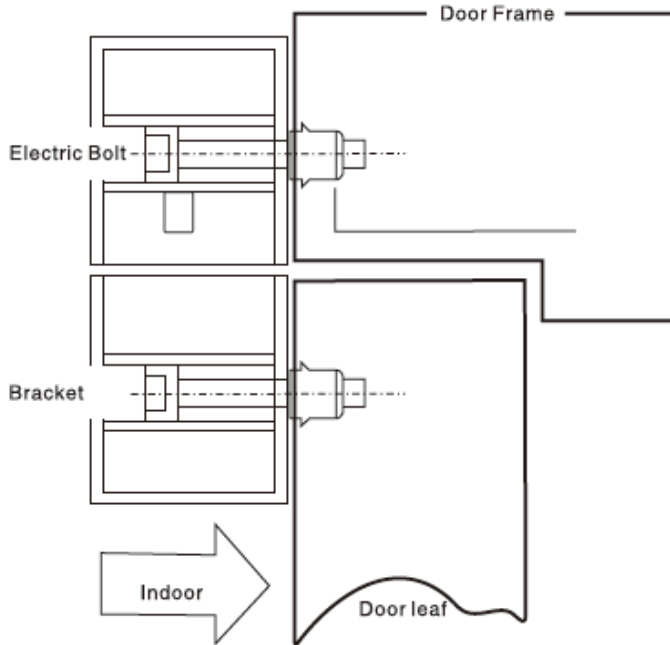
Elock-YB500L is an all-metal construction electric bolt suitable for narrow frame doors which possess with Double protection for loading current. The bolt is made of 304 stainless steel solid bar with 1000kg holding force and anti-burglar design. It contains the design of magnetic valve, particular photoelectric control structure

Specification

- Feature : Fail Safe
- Face Plate : 185Lx25.7Wx37H(mm)
- Bolt : 16(length)x12.7(diameter)(mm)
- Voltage : DC12V
- Start Current : 960mA
- Standby Current : 180mA
- Solid Bolt : polishing housing, 1000Kg Holding Force
- Suitable For Electric Bolt For Narrow Door
- Signal Output : Door status Output,NO/COM
- Induction Distance : 8mm
- Light on indicates locked, light off indicates unlocked
- Special Designed : Tested to 500000 operations
- Face place material : Stainless Steel

* All specifications are subject to change without prior notice

User Guide – Installation



Attentions:

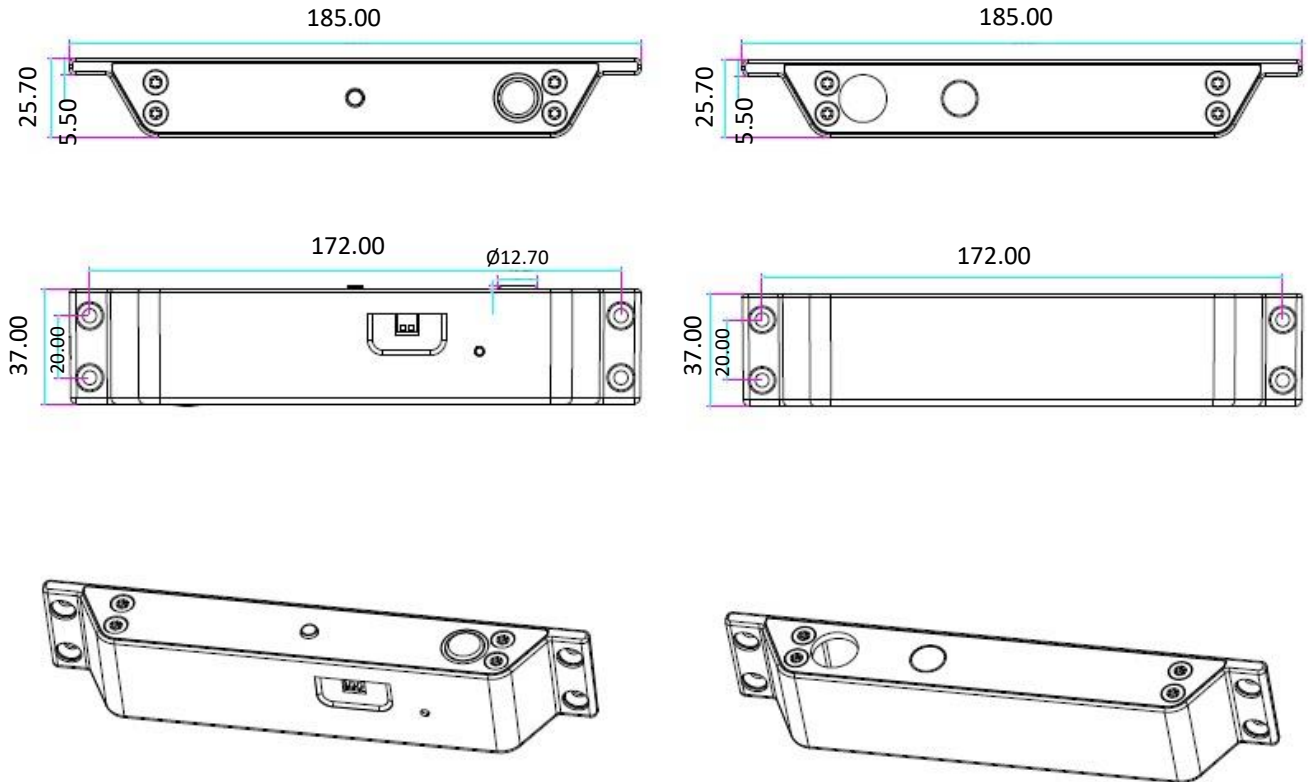
1. If the thickness of door frame, door leaf is too narrow and unable to install the electric bolt, in this specially occasion, need to install the electric bolt for the narrow frame door.
2. The gap between the down-bracket and electric bolt is 5-8mm.
3. According to the construction site, there are two compatible outlet hole for choice.

Model	Red	Black	White	Green	Orange
eLock-YB500L	+	-	COM	NO	Open

AUTOLOCK TIME DELAY SETTING



Dimension:



All dimensions in mm