



Description :

EL-T9MFW touch access keypad reader is fully capable of all the basic access control functionality, weatherproof with stylish design. Ideal for single door access control system.

Key Features :

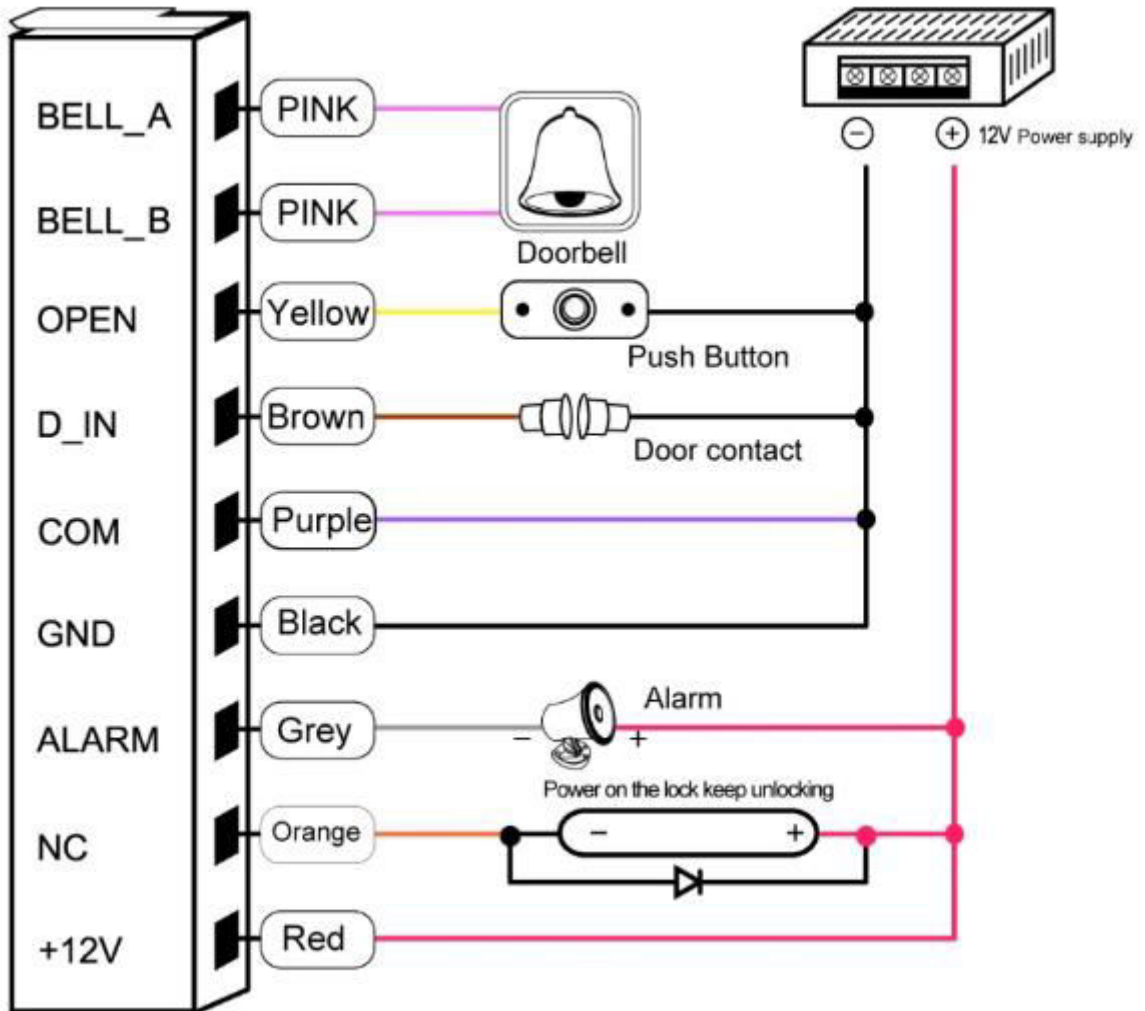
- Standalone device - ideal for single door system, controlling electric lock, security system
- Verify via password and or card
- Four types of verification mode for greater security
- Weatherproof design
- Water resistant capability
- LEDs and electronic buzzer
- Provides positive audio-visual feedback

Technical Specification :

- Input Voltage : 12V DC
- Current Consumption : 60mA
- Operating Temperature : 0°C ~ +60°C
- Carrier Frequency : 13.56MHz
- Wiegand Interface : Wiegand 26 bits
- Reading Range : 30~50mm (2") max
- Indication : Buzzer and LEDs (Red and Green)
- Lock Output Load : Max 3A
- User Capacity : 2000
- Adjustable Door Relay Time : 0 ~ 99seconds
- Dimension : 121 x 79 x 21 mm
- Unit Weight : 200g
- IP Rating: IP 65
- Dual Function: Standalone controller or wiegand 26 bits reader

* All specifications are subject to change without prior notice

Wiring Diagram (Standalone Mode):



Wiring Diagram (Operating as Wiegand Output Reader) :

