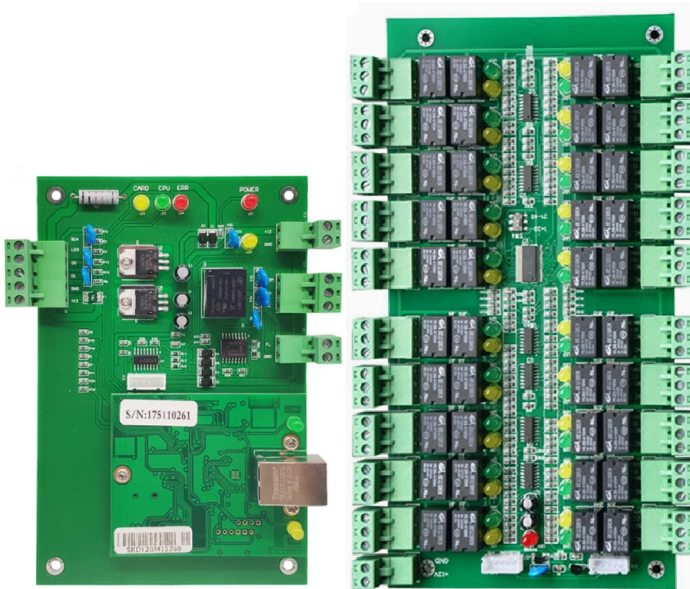


FM-C20 | FM-C20E

ELEVATOR ACCESS CONTROLLER



Product Features

- Secured and safe.
- Only Authorised people use elevator.
- Faster and easy floor selection with a card.
- Flexibility to move from floor to floor.
- Controls access / use of elevator by time of day and day of week.
- All / selected floors can be access controlled.
- Selected floor can be Deactivated during certain hours.
- Simple electrical interface to any elevator.
- Power saving as un-necessary landing calls are avoided.
- Recording of elevator usage by cardholder with date and timestamp.
- Every Transaction stored with date & time stamp.

Product Overview

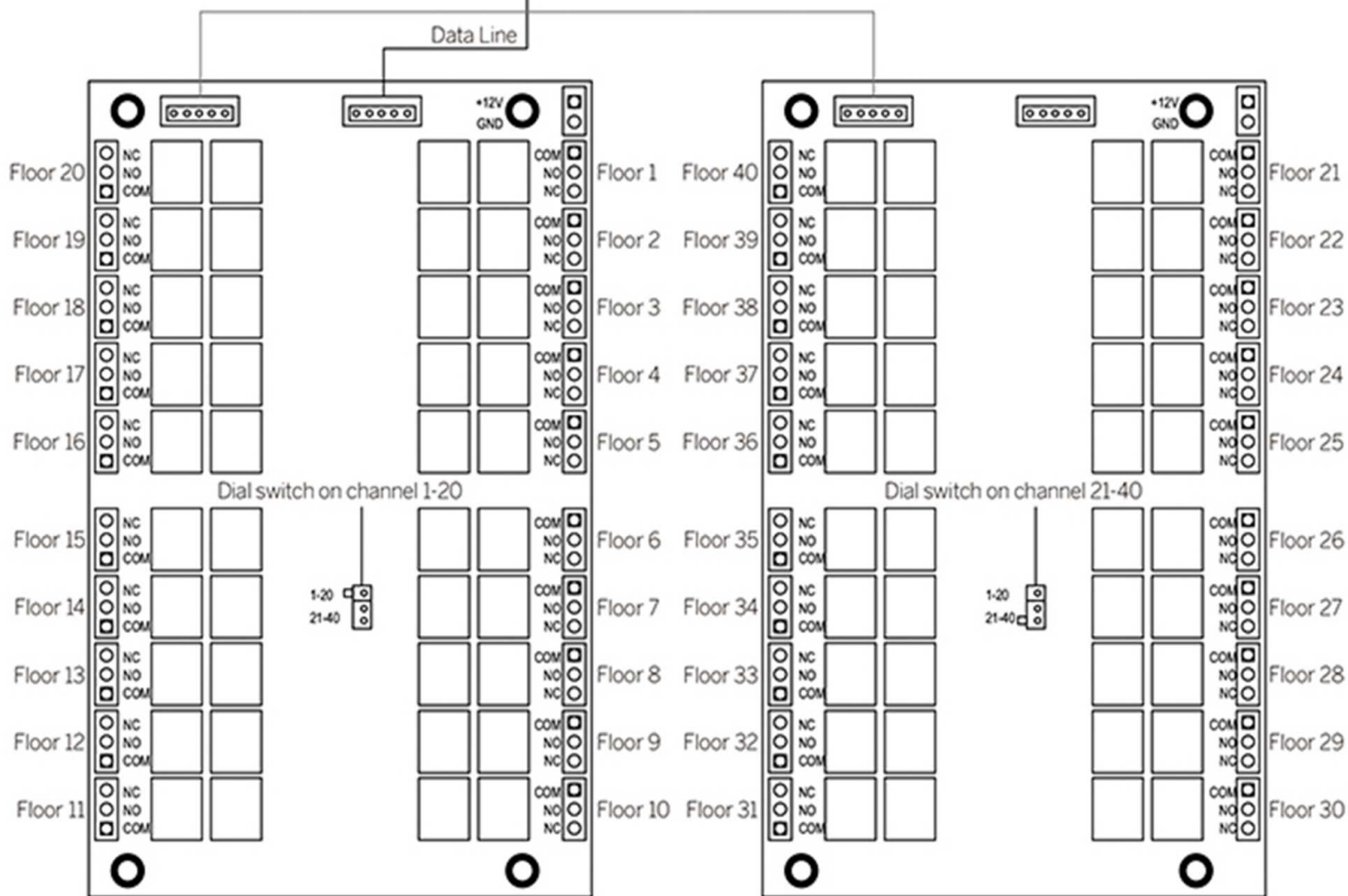
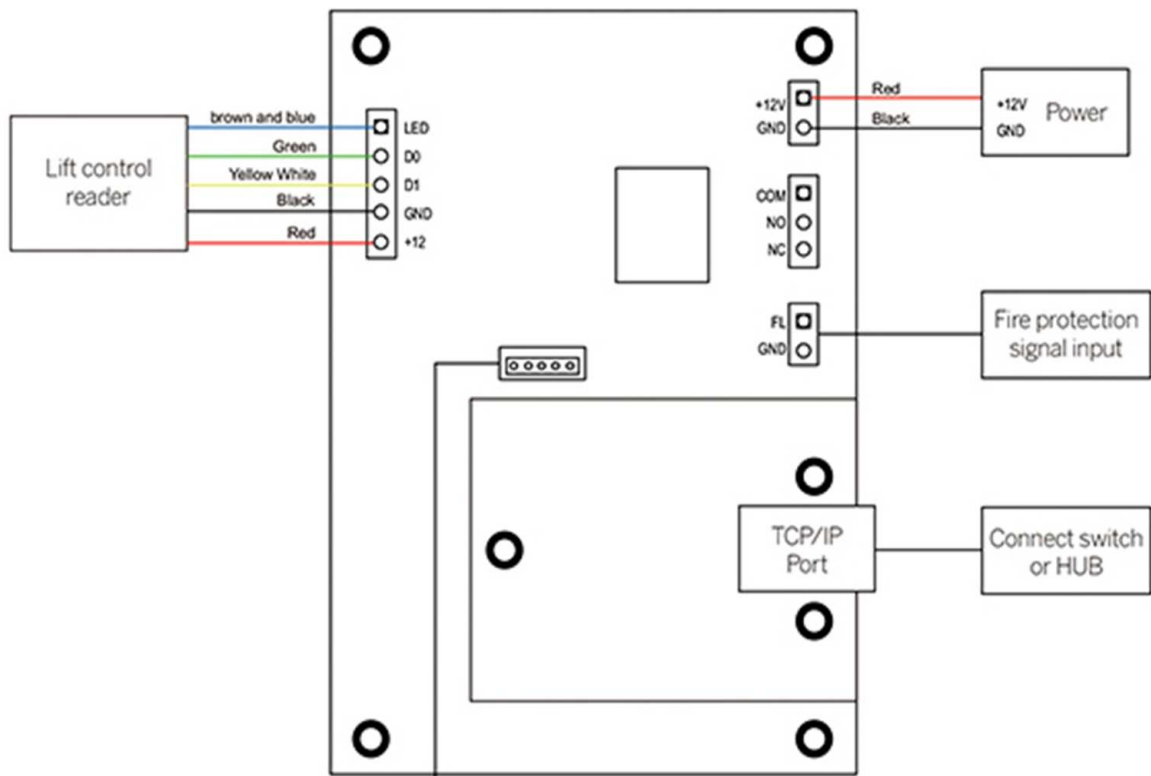
The FELIX FM-C20 Lift/Locker controller system consist of main board + extended board which can have 20 floors and 40 floors elevator control.

This system offers complete management of floor movements of guests, residents and their visitors. Access permissions to specific floors can be stored on wide range of physical access credentials and mobile technologies.

Technical Specifications

Model	FM-C20	FM-C20E
Number of Doors Controlled	20 Floor Control board	20 Floor Extension Board
Number of Readers Supported	1	0
Number of Inputs	2 (Exit Device and Door Status)	1 extended panel supported
Types of Readers Supported	26-40-bit Wiegand	
Card Holders Capacity	20,000	0
Log Events Capacity	100,000	0
Recommended Power Supply	12V DC, 0.1 A	12V DC, 0.1 A
Communication	TCP/IP	
Enclosure (Optional)	Powder Coated Aluminium	Powder Coated Aluminium
Mounting	Wall Mount	Wall Mount
Fire signal input	1	
Dimensions (Board Only)	(160mm×106mm)	(219mm×115mm)
Weight	(0.68kg)	(0.45kg)

FM-C20

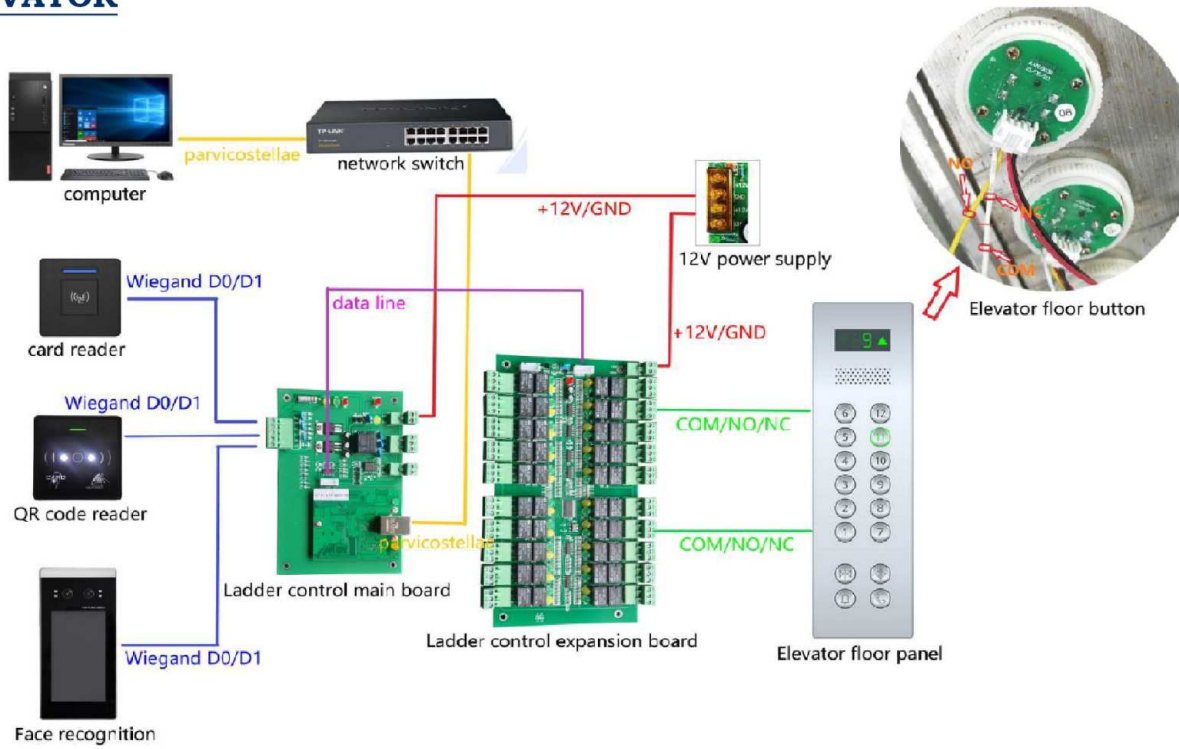


FM-C20E

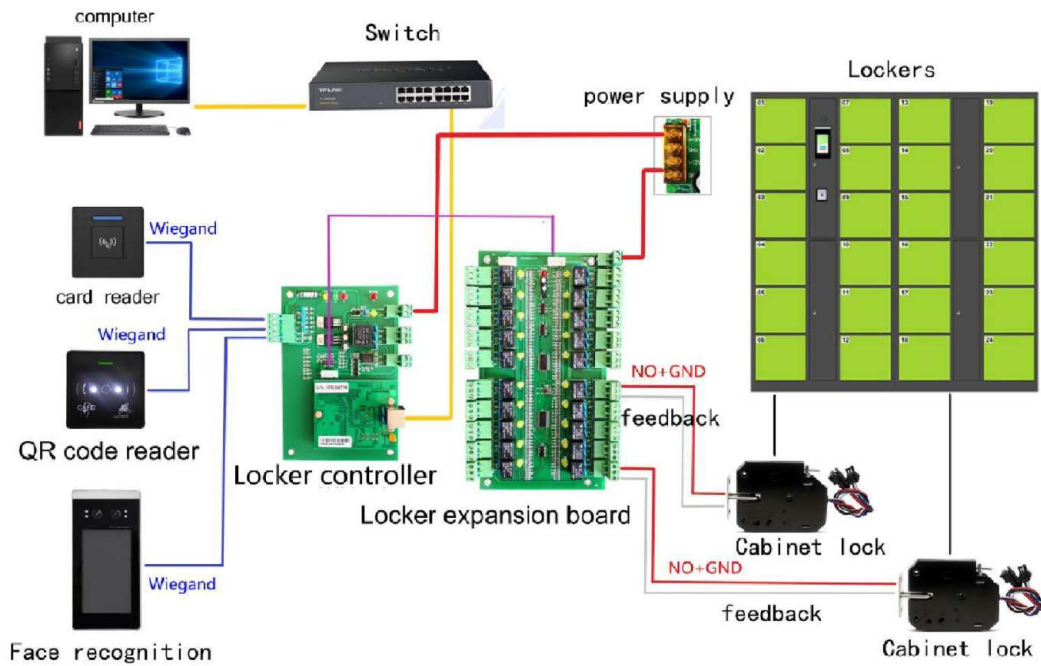
FM-C20E

Connection Diagram:

LIFT/ ELEVATOR



CABINET



RELATED PRODUCT: - OPTIONAL

