

F-316DW

3D FACIAL RECOGNITION /WI-FI ACCESS CONTROL READER



Product Features

- **Operating way:** Face ID/Card/Password/Mobile Application.
- Digital illuminated touch keyboard
- High sensitivity Motion Infrared LED for Instant Facial Recognition.
- **Indication:** LED and electronic buzzer.
- Multi-functional standalone access control with wiegand output.
- Suitable for all kinds of access control system.
- Built-in high-current output drive for the electric lock.
- Support admin card for add and delete function.
- Data backup function to check visitor records.

Tuya application function

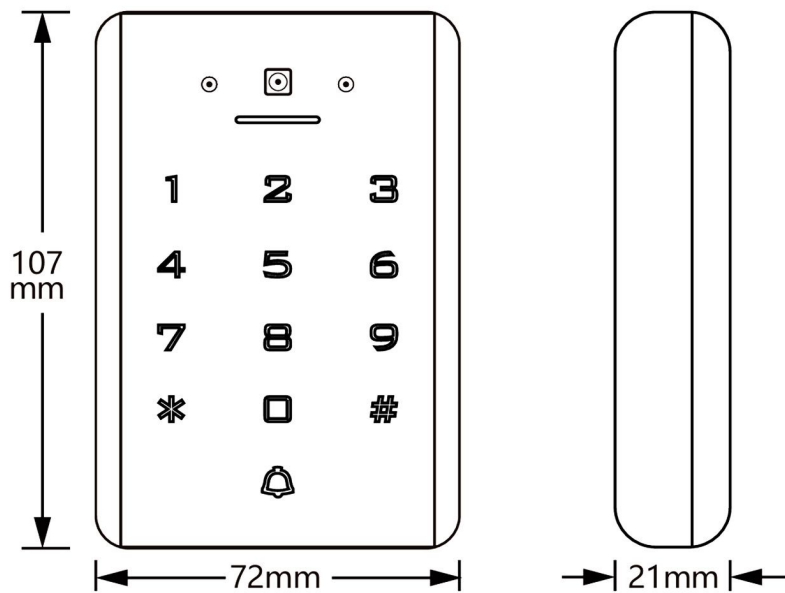
- Remote unlock by mobile application.
- Manage users from mobile application.
- Option to set temporary and public passwords.
- Check User / Visitors records



Technical Specification

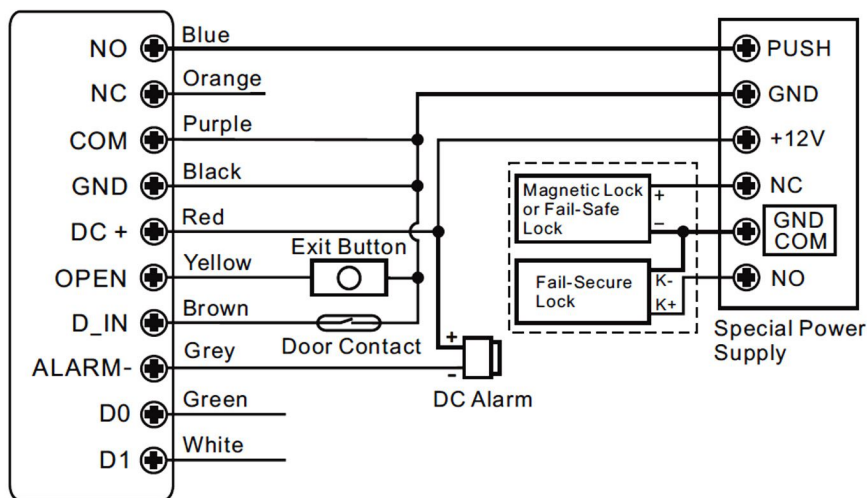
Model	F-316DW
Case Material	Zinc Alloy case, Anti-Vandal
Card type	EM(ID) card 125KHz
Operating Voltage	DC12V
Capacity	2000 cards/codes, 100 Face templates
Opening Mode	Facial Recognition / Card/ Password/ Mobile Application
Electric Lock Output	≤1A
Card Reading Distance	2-5cm
Facial Recognition Distance	1m
Weigand Output	WG26/34
Short-circuit Protect Time	≤100μS
Ingress Protection Rating	IP68
Operating Humidity	10% to 90% RH
Door Opening Time	0-99s(Adjustable)
Dimensions	107×72×21(mm)

Product Dimension



Wiring Diagram

Special Power Supply



DC Power Supply

