

F-DA601

DOOR LOOP



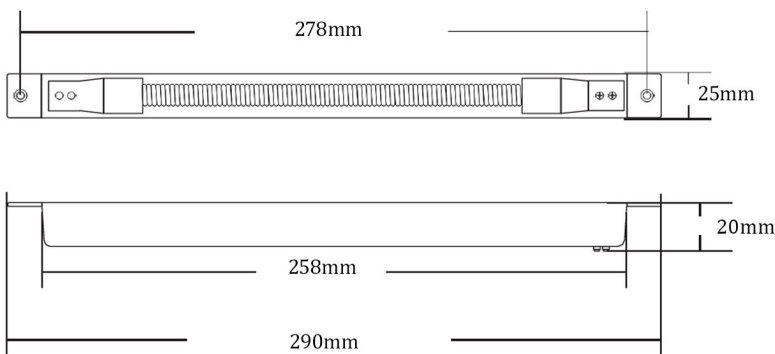
Product Features

- The Door Loop provides power and control to a door and installs in the upper corner of the hinged side of the door.
- It gives attractive and neat result for the wiring Maximum flexibility for installation site on door/frame.
- The exposed door loop can prevent the wires from broken or intentionally mangle.

Technical Specifications

Model	F-DA601
Material	Stainless Steel
Installation Mode	Hidden
Mechanical Life	500,000 tests
Operating Temperature	-20°C ~ +55°C (14-131F)
Operating Humidity	0-95% (Relative humidity)
Dimension	290L*25W*20D (mm)
Inner Diameter	11mm
Weight	330g

Dimensions



Installation

